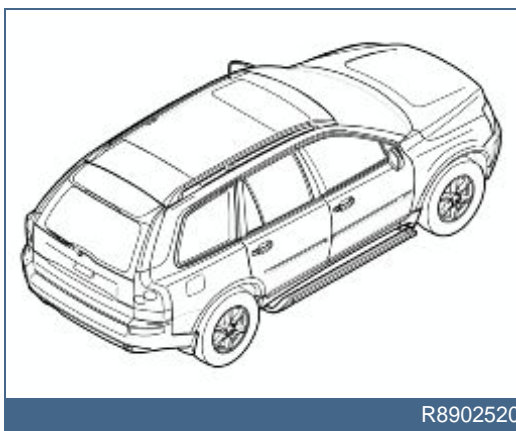




XC90

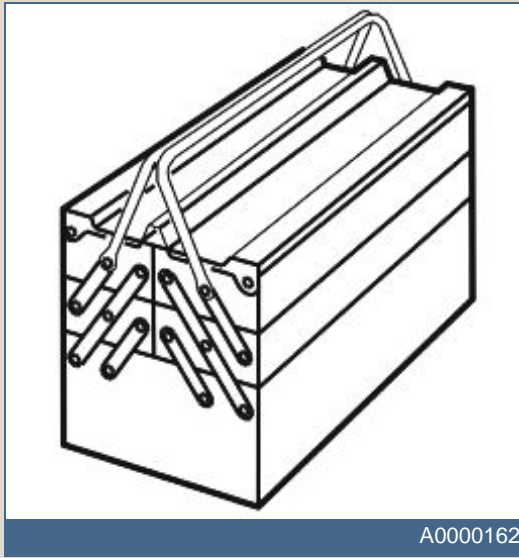
Section	Group	Weight(Kg/Pounds)	Year	Month
8	84		2001	05

XC90 2003, XC90 2004, XC90 2005, XC90 2006, XC90 2007, XC90 2008, XC90 2009, XC90 2010





Required tools

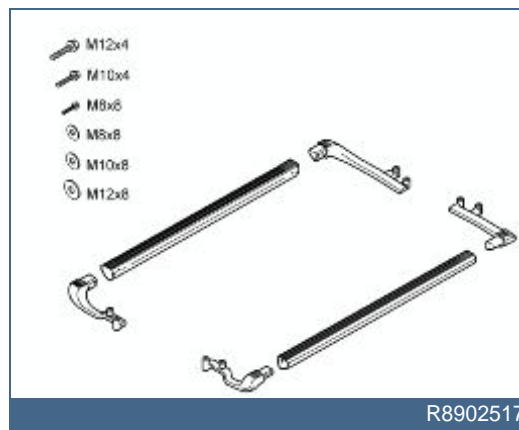


A0000162



Nm
lbf.ft

A0000161



R8902517



Any comments on this publication? Please contact your nearest dealer. Thank you!

Publication no: MA 9172705, Issue: 2001-05
Comments:.....
From:.....
Address:.....
Telephone no:.....
Telefax:.....



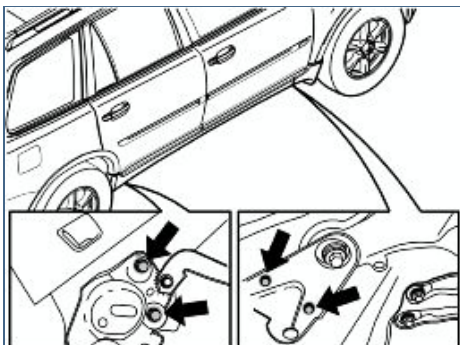
INTRODUCTION

Running board

- **NOTE! Read through the whole installation instruction before starting the work.**
- The front page gives the date of this edition and the edition it replaces
- The second page shows the tools needed for the installation and the contents of the installation kit
- The illustrations display the procedure in order of operation. The order of operation is repeated in the text section
- Cut out the text page in order to follow the illustrations and text at the same time.



1



R8101617

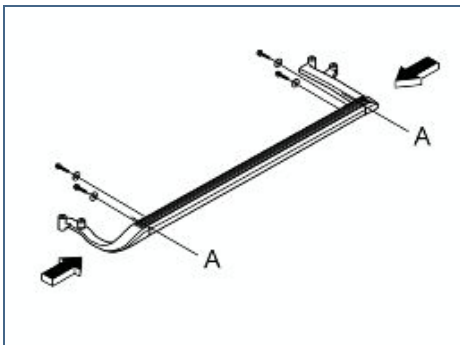
- Wash underneath the door sills, in front of the rear wheels and behind the front wheels on the left and right hand sides
- Raise the car.

Note!

Ensure that the lifting tool does not obstruct the mounting point of the "Running board".

- Remove the two M10 screws from the front overhang and the two M12 screws at the rear on the left and right hand sides. Place the screws to one side. They will not be reused
- Clean any dirt and underseal from the mating surfaces where the "Running board" is to be mounted.

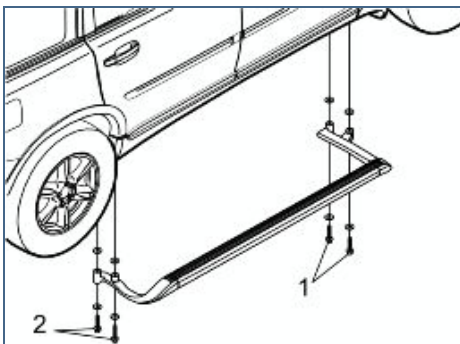
2



R8902572

- Take an aluminium profile, a mounting of each type, four M8 screws and washers from the kit. Install the mountings in the aluminium profile as illustrated. Screw in the four M8 screws. Check that there is no gap between the aluminium profile and the mounting brackets at (A). Tighten the M8 screws. Tighten to **25 Nm (19 lbf. ft.)**
- Repeat the operation on the other aluminium profile.

3A



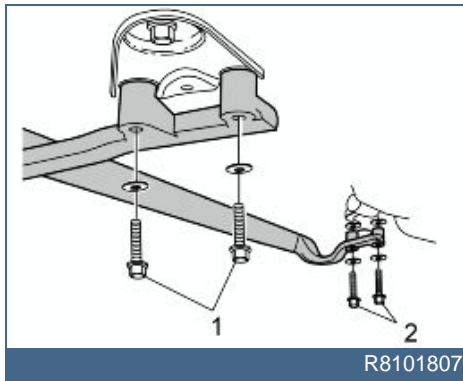
R8101618

It is recommended that two people carry out the installation of the "Running board".

- Install the "Running board" using M10 (1) and M12 (2) screws with the relevant washers.
- Tighten the M10 screws (1). Tighten to **50 Nm (37.5 lbf. ft.)**. Tighten the M12 screws (2). Tighten to **80 Nm (60 lbf. ft.)**.



3B



4

- Install the front mudguards according to the separate installation instructions.